



GREY FOX CONCEPTS

1/35 Australian M113
Sponson Armour
SKU: GFC160018

Description: Australian M113 Sponson Armour for one M113 vehicle.

History: During the Vietnam conflict, the Australian M113s were fitted with sponson armour on each side of the vehicle, to help counter the threat of mines and IEDs. This modification occurred from 1969 onwards. All M113 in Australian service were fitted with this armour. M113 FSV hulls that had their turrets removed and sent to New Zealand Army also had this armour fitted to them.

Parts: One set of Sponson Armour for an M113 vehicle. This update kit is suited to the Andys Hobby Headquarters 1/16 M113A1/M113A1 ACAV Armored Personnel Carrier AHHQ-009

Safety: This is a 3D printed resin product. When working with this product, take the precautions to prevent inhalation of the dust produce by cutting, sanding or filing. Wearing a dust mask and eye protection while working on the product. Work in a well-ventilated area.

Instructions:

This kit does not come with sponson armour.

1. Dry fit the parts, by placing the front edge of the sponson appropriately 3.75 mm back from the vertical weld on the kit as per Figure 1.
2. The sponson armour should overhang .93mm from the hull of the kit. Attached with CA glue

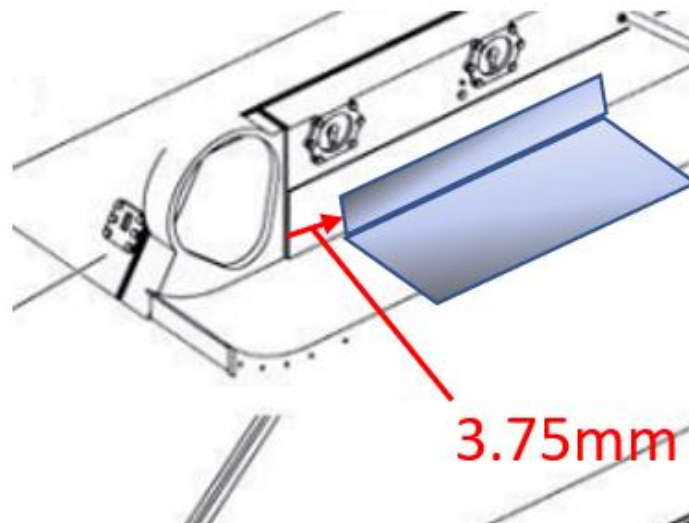


Figure: 1